

## ULYSSES™ SIDECASE KIT

### GENERAL

#### Kit Number

90057-05Y

#### Models

This kit fits 2006 and later Buell® Ulysses model motorcycles.

#### Additional Parts Required

##### NOTE

Proper installation of Topcase mounting bracket requires installation of both Sidecase mounting brackets. Installing without both Sidecase mounting brackets can allow Tail Section casting to break.

### WARNING

Do not exceed the motorcycle's Gross Vehicle Weight Rating (GVWR) or Gross Axle Weight Rating (GAWR). Exceeding these weight ratings can affect stability and handling, which could result in death or serious injury. (00016e)

- GVWR is the sum of the weight of the motorcycle, accessories, and the maximum weight of the rider, passenger and cargo that can be safely carried.
- GAWR is the maximum amount of weight that can be safely carried on each axle.
- The GVWR and GAWR are shown on the information plate, located on the frame down tube.

A Service Manual for the year and model motorcycle is available at any Buell Dealer.

Loctite® 271 (red) (Part Number 94671-97) is available at any Buell Dealer.

#### Kit Contents

See Figure 4 and Table 1.

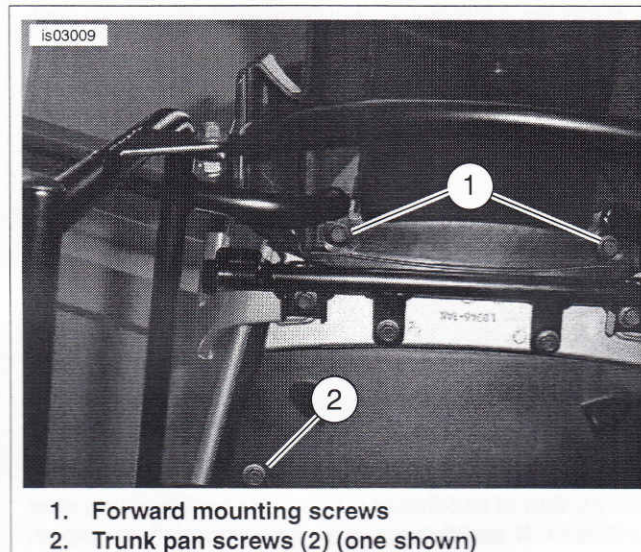
### INSTALLATION

##### NOTE

Loctite 271 (red) must be applied to all fasteners before installation.

#### Install Sidecase Brackets

1. See Figure 4. Insert a 1/4-20 x 5/8 inch hex head fastener (6) and a 1/4 inch lockwasher (8) through the lower forward mount of the bracket (C) and into the mount point behind the passenger foot peg bracket. Keep fastener loose at this time.



1. Forward mounting screws  
2. Trunk pan screws (2) (one shown)

Figure 1. License Plate and Trunk Pan Screw Removal

2. See Figure 1. Remove the two forward mounting button head fasteners (1) holding the license plate bracket to the tail (under license plate bracket).

##### NOTE

All Belleville lock washers must be installed with the inside diameter making contact with the bolt head.

3. Remove the two button head fasteners holding the trunk pan to the tail loop on each side.
4. See Figure 4. Starting with the left sidecase bracket (3), insert a 1/4-20 x 2.0 inch hex head fastener (16) and a 1/4 inch lock washer (8) through the upper rear mount of the bracket (A) and into the forward mounting point of the license plate bracket. Hand tighten fastener at this time.
5. Insert a 1/4-20 x 1.0 inch hex head fastener (7) and a 1/4 inch lockwasher (8) through the upper front mount of the bracket (B) and into the left side trunk pan mounting point. Hand tighten fastener at this time.

##### NOTE

The passenger footpeg supports can be loosened to give additional clearance for mounting the sidecase brackets. Tighten the passenger footpeg supports 132-144 in-lbs (15-16 Nm).

6. Repeat Steps 3 through 5 for right sidecase bracket installation.
7. With both left (3) and right (4) sidecase brackets installed, install X-brace (5) between the left and right brackets with two 1/4-20 x 5/8 inch hex head fasteners (6), and two 1/4-20 locknuts (9).

#### NOTE

When tightening fasteners, make sure there is solid contact between the brackets and the mounting points on the motorcycle. Also, all Belleville lock washers must be installed with the inside diameter making contact with the bolt head.

8. Tighten all fasteners to 108-120 in-lbs (12.0-13.5 Nm).
9. Install protective tape (10) to the left and right sidecase tube structures in locations (E) as indicated.

#### Install Sidecase Luggage Bags

1. Place key (12) in sidecase locking latch (G) in open position. Open latch.
2. Attach Sidecase to mounting bracket by positioning rectangular mounting surface inside rectangular area of sidecase bracket (3). Slide sidecase as far rearward as possible.
3. Mate locking latch (G) with attachment point (F) and close latch. Rotate key into closed position and remove key. Check that sidecase and latch are properly seated and locked.
4. Repeat procedure for right sidecase

#### **WARNING**

Check that saddlebags are completely engaged by pulling lower portion of saddlebag outward (away from bike) after installation. If saddlebags are not completely engaged, they can fall off while riding and cause loss of control, which could result in death or serious injury. (00074a)

#### Install Reflectors

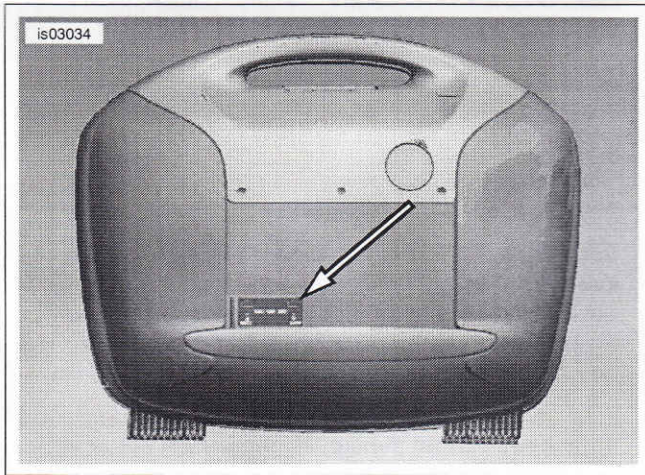


Figure 2. Left Side Case Reflector Mounting Location

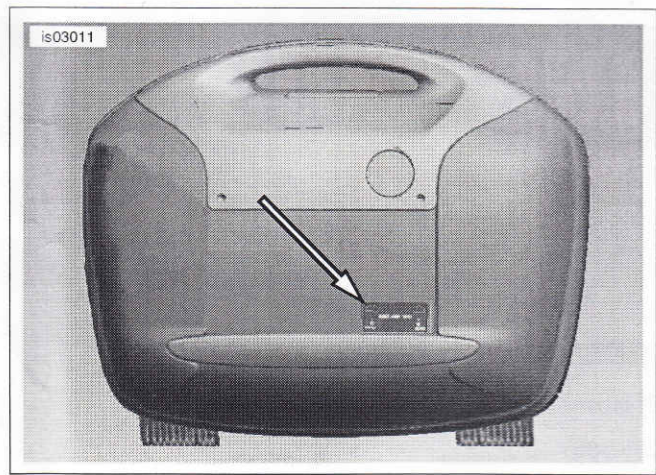


Figure 3. Right Side Case Reflector Mounting Location

1. See Figure 2 and Figure 3. Using isopropyl alcohol, clean the surface of the sidecase where the reflector will be mounted.
2. Remove the adhesive backing from the left side reflector and install per Figure 2 with orientation arrow on the reflector pointing up. Hold reflector firmly against saddlebag for 10-15 seconds.
3. Remove the adhesive backing from the left side reflector and install per Figure 3 with orientation arrow on the reflector pointing up. Hold reflector firmly against saddlebag for 10-15 seconds.

#### Return the Motorcycle to Service

#### NOTE

Record the key code number off of the key so replacement keys can be ordered in the event of loss.

#### **WARNING**

Do not open storage compartments while riding. Distractions while riding can lead to loss of control, which could result in death or serious injury. (00082a)

#### **WARNING**

Do not exceed saddlebag weight capacity. Put equal weight in each bag. Too much weight in saddlebags can cause loss of control, which could result in death or serious injury. (00383a)

#### NOTE

Maximum load per Sidecase 15 lbs (6.8 Kg). When driving with motorcycle, all locks must be locked.

# SERVICE PARTS

is03015

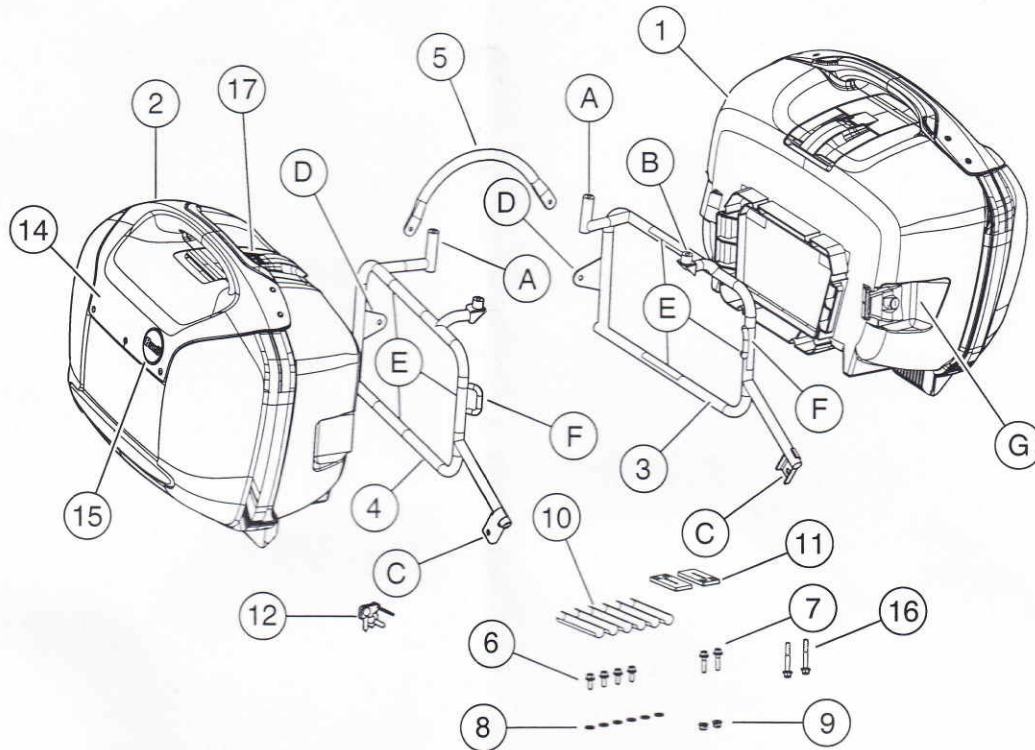


Figure 4. Service Parts: Ulysses Sidecase

Table 1. Service Parts: Ulysses Sidecase

| Item | Description (Quantity)       | Part Number | Item            | Description (Quantity)                    | Part Number |
|------|------------------------------|-------------|-----------------|-------------------------------------------|-------------|
| 1    | Side case, left              | 90081-05Y   | 14              | Cosmetic cover                            | 90097-05Y   |
| 2    | Side case, right             | 90092-05Y   | 15              | Buell emblem                              | 90098-05Y   |
| 3    | Left hand bracket            | 90085-05Y   | 16              | 1/4-20 x 2.0 inch bolt (2)                | 3114        |
| 4    | Right hand bracket           | 90089-05Y   | 17              | Sidecase latch service kit                | 90114-06Y   |
| 5    | X-brace bracket              | 90090-05Y   | Reference Items |                                           |             |
| 6    | 1/4-20 x 5/8 inch bolts (4)  | 4536Y       | A               | Rear mounts, side case                    |             |
| 7    | 1/4-20 x 1.0 inch bolts (2)  | 4537Y       | B               | Trunk pan mounts                          |             |
| 8    | Washers (8)                  | 7036        | C               | Passenger foot peg mounts                 |             |
| 9    | 1/4-20 lock nuts (2)         | 7981        | D               | X-brace mounts                            |             |
| 10   | Protective tape (6)          | 90118-05Y   | E               | Protective tape install locations         |             |
| 11   | Reflector (2)                | 59259-90    | F               | Side case luggage attachment point        |             |
| 12   | Key set                      | 90117-05Y   | G               | Side case locking latch (left side shown) |             |
| 13   | Flat washers (2) (not shown) | 4566Y       |                 |                                           |             |

### NOTE

Record the key code number off of the key so replacement keys can be ordered in the event of loss. The key code consists of a 3 digit (XXX) number.