

**Motorschutzbügel
KAWASAKI VN 900 classic/Vulcan**

Artikel-Nr.:
501.219 00 02 chrom

501.219 00 01 schwarz

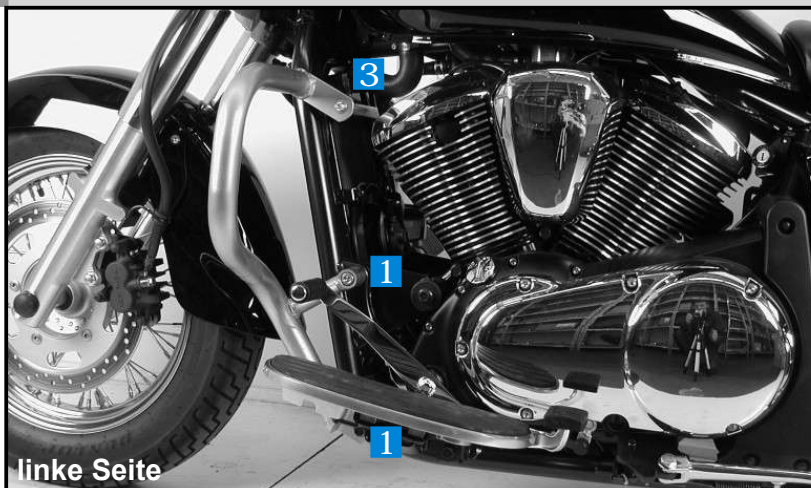
Seitenkoffer
Topcases
Gepäckträger
Lock it System
Softbags
Aluminiumkoffer
Lederkoffer
Schutzbügel
Hauptständer
Chopper-Parts
Quad-Parts
Accessoires



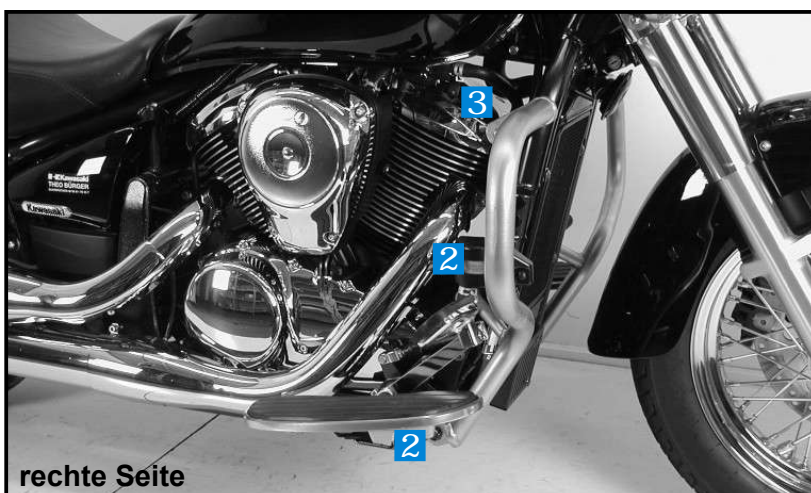
Montage

Der Bausatz umfaßt die folgenden Teile:

| Stück | Bestellnr. | Bezeichnung |
|-------|------------|-----------------------------------|
| 1 | 700.505HB | Schutz- und Zierbügel links |
| 1 | 700.506HB | Schutz- und Zierbügel rechts |
| 1 | 702.246HB | Versteifungsstrebe |
| 1 | 151.044 | Inbusschraube M 10 x 1,25 x 80 |
| 1 | 151.042 | Inbusschraube M 10 x 1,25 x 90 |
| 2 | 150.938 | Linsenkopfschrauben M 8 x 20 |
| 2 | 150.810 | U-Scheiben ø8,4 |



linke Seite



rechte Seite

**Nach der Montage alle Verschraubungen auf festen Sitz kontrollieren!
Bitte beachten Sie unsere beigefügten Serviceinformationen.**

Weiteres Zubehör:

| | | | |
|---------------------------|-------------------------|----------------------------|-------------------------|
| Packtaschenhalter | Art.-Nr. 625.2501 | Kofferträger chrom | Art.-Nr. 650.2501 00 02 |
| Gepäckbrücke chrom | Art.-Nr. 650.2501 01 02 | Twinlight-Set | Art.-Nr. 400.2501 |
| Sissybar mit Gepäckbrücke | Art.-Nr. 611.217 | Sissybar ohne Gepäckbrücke | Art.-Nr. 600.217 |



**Hepco & Becker GmbH
An der Steinmauer 6**

D-66955 Pirmasens

Tel.: 06331 - 1453 - 100

Fax: 06331 - 1453 - 120

eMail: vertrieb@hepco-becker.de

www.hepco-becker.de

Engine guard
KAWASAKI VN 900 classic/Vulcan

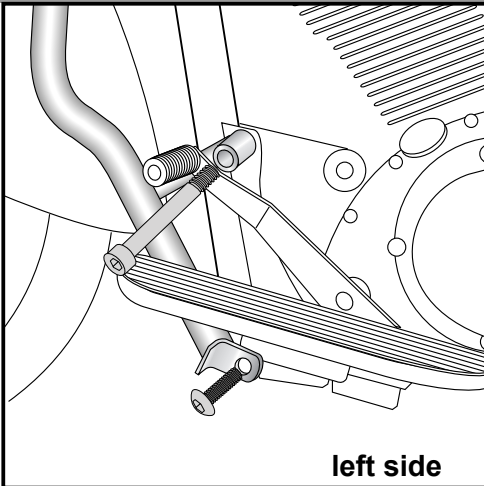
Item-No.
501.219 00 02 chrome

501.219 00 01 black

Side cases
Top cases
luggage frames
Lock it system
Softbags
Aluminium luggage
Leather luggage
Protection bars
Center stands
Chopper parts
Quad parts
Accessories



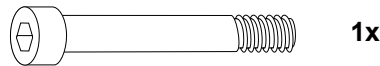
Assembling instructions



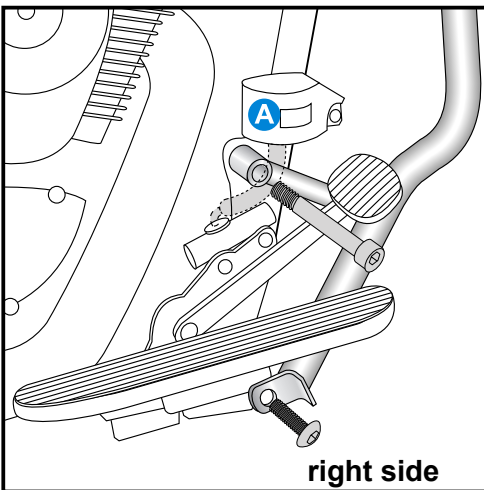
1

Fastening of the crash bar left bottom:
Outside at the screw connection of the footboard holder with original screw.

Fastening of the crash bar middle:
Fix the crash bar at the outside of the top engine suspension with allen screw M 10 x 1,25 x 90.



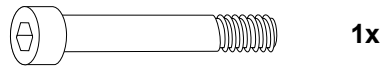
1x



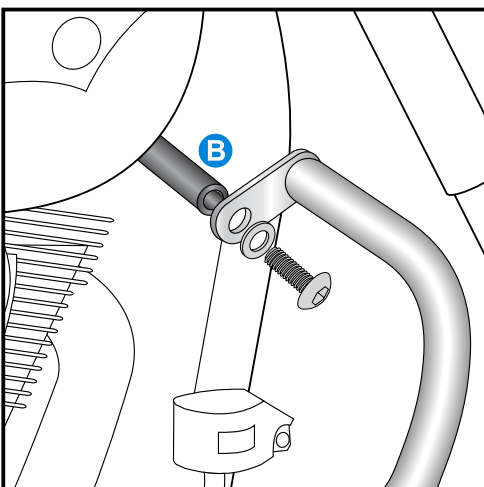
2

Fastening of the crash bar right bottom:
Outside at the screw connection of the footboard holder with original screw.

Fastening of the crash bar middle:
Unscrew brake fluid container. **A**
Fix the crash bar at the outside of the top engine suspension with allen screw M 10 x 1,25 x 80.
Mount brake fluid container.

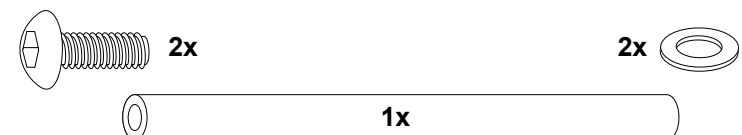


1x



3

Fastening of the bracing bow: **B**
Behind the cooler with filister head screw M 8 x 20 and washer $\varnothing 8,4\text{mm}$.



2x

2x

1x

Engine guard
KAWASAKI VN 900 classic/Vulcan

Item-No.
501.219 00 02 chrome

501.219 00 01 black

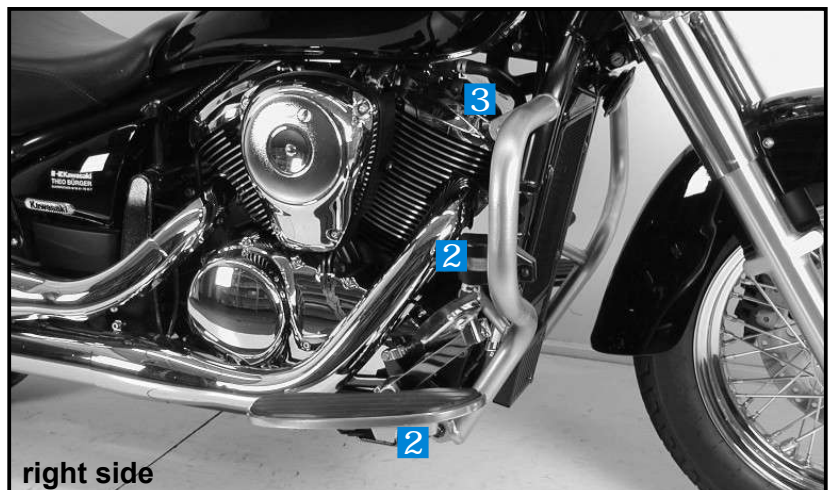
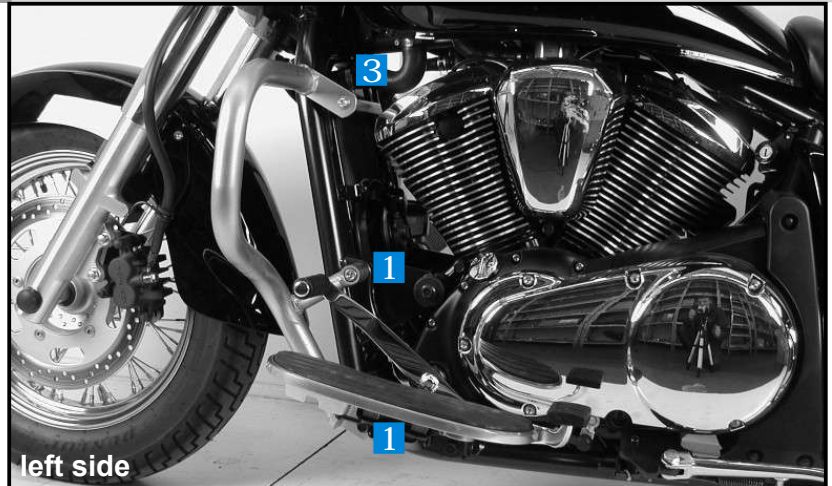
Side cases
Top cases
luggage frames
Lock it system
Softbags
Aluminium luggage
Leather luggage
Protection bars
Center stands
Chopper parts
Quad parts
Accessories



Assembling instructions

The kit includes the following parts:

| Quant | item no. | description |
|-------|-----------|---------------------------------|
| 1 | 700.505HB | crash bar left |
| 1 | 700.506HB | crash bar right |
| 1 | 702.246HB | bracing bow |
| 1 | 151.044 | allen screw M 10 x 1,25 x 80 |
| 1 | 151.042 | allen screw M 10 x 1,25 x 90 |
| 2 | 150.938 | filister headscrew M 8 x 20 |
| 2 | 150.810 | washer ø8,4 |



Control all screw connections after the assembling for tightness!

Please notice our enclosed service information.

All screws, bolts and nuts should be checked after driving the first 50 km to ensure that all are tightened to the proper torque.

Medium strength liquid thread-locker (i.e., „Locktite“) should be used to secure all screws, bolts, and nuts.

Also available:

Leather bag holder 625.2501
Rear rack chrome 650.2501 01 02
Sissybar with rear rack 611.217

Side carrier chrom e 650.2501 00 02
Twinlight-Set 400.2501
Sissybar without rear rack 600.217



Hepco & Becker GmbH
An der Steinmauer 6
D-66955 Pirmasens
Germany

Tel.: +49 6331 - 1453 - 100
Fax: +49 6331 - 1453 - 120
eMail: vertrieb@hepco-becker.de
www.hepco-becker.de