

Engine protection plate

KAWASAKI KLR 650
US-Model from 2008

Item-No.: 810.206 black

Side cases
Top cases
luggage frames
Lock it system
Softbags
Aluminium luggage
Leather luggage
Protection bars
Center stands
Chopper parts
Accessories



Assembling instructions

The kit includes the following parts:

Quant	item no.	description
1x	700007651	engine protection plate
2x	151.269	countersunk head screw M6x30
2x	151.274	countersunk head screw M6x35
4x	151.309	countersunk washer Ø6,4
2x	150.935	alu spacer Ø15xØ7x14 mm
2x	151.339	alu spacer Ø15xØ7x10 mm
1x	330.302	emblem Hepco & Becker ø30mm

Tip:

Fit all parts and screw on not too strong.
After mounting all parts, the screws should be tightened to the torque specified.
This guarantees, that the kit is mounted without tension.

Preparing:

Dismantle original plastic engine protection plate.



Picture also shows „Center stand“ and „Micro Flooter Lights“ with grilles and „Engine guard“ - optional accessories to mount with the engine protection plate.

Engine protection plate

KAWASAKI KLR 650
US-Model from 2008

Item-No.: 810.206 black

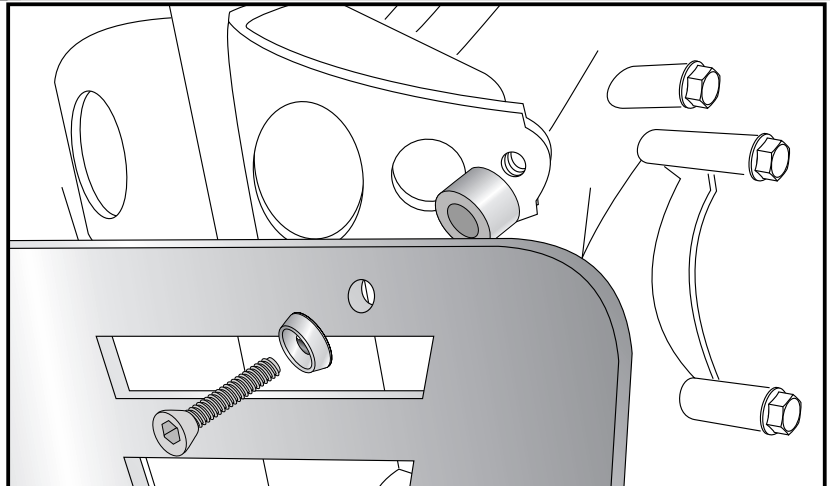
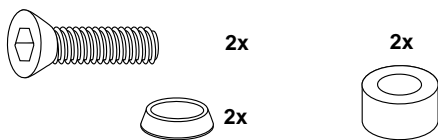
Side cases
Top cases
luggage frames
Lock it system
Softbags
Aluminium luggage
Leather luggage
Protection bars
Center stands
Chopper parts
Accessories



Assembling instructions

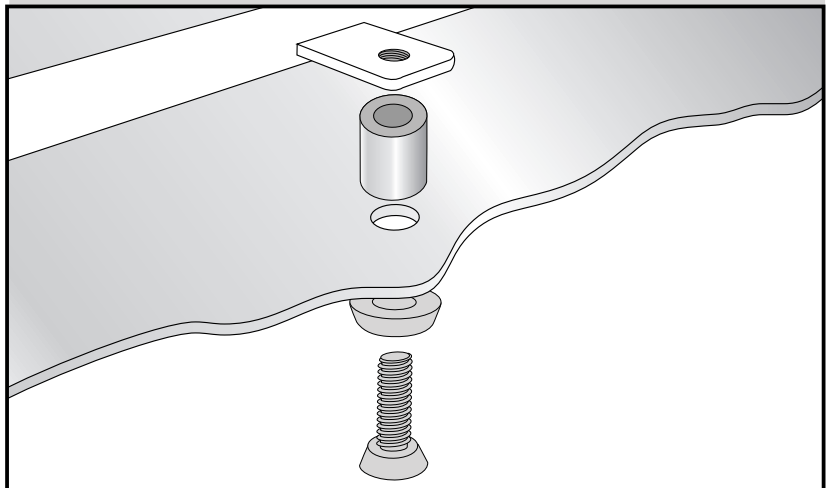
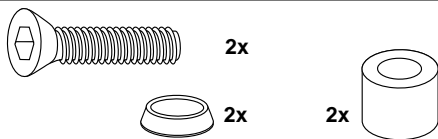
1 Fastening of the protection plate top:
The new protection plate uses the same fixing points then the original.

Use countersunk head screw M6x30 with countersunk washer Ø6,4.
Sandwich alu spacer Ø15xØ7x10 mm between frame and plate.



2 Fastening of the protection plate bottom:
The new protection plate uses the same fixing points then the original.

Use countersunk head screw M6x35 with countersunk washer Ø6,4.
Sandwich alu spacer Ø15xØ7x14 mm between frame and plate.



Control all screw connections after the assembling for tightness!
Please notice our enclosed service information.

Also available:
Side carrier (Lock it System)
Rear rack
Engine guard

Item.-No.: 650.206 00 01
Item.-No.: 650.206 01 01
Item.-No.: 502.206



Hepco & Becker GmbH
An der Steinmauer 6
D-66955 Pirmasens
Germany

Tel.: +49 6331 - 1453 - 100
Fax: +49 6331 - 1453 - 120
eMail: vertrieb@hepco-becker.de
www.hepco-becker.de